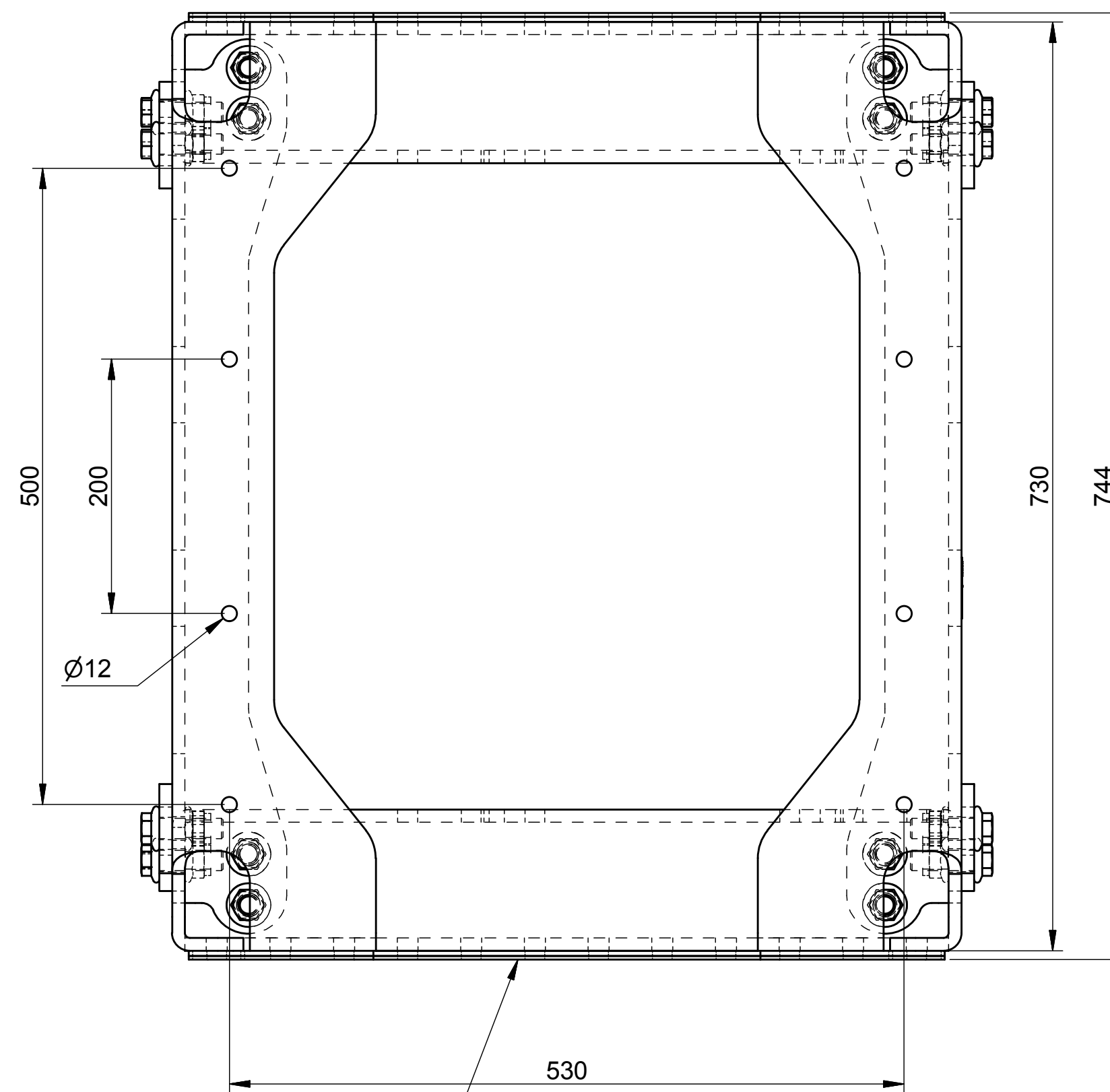
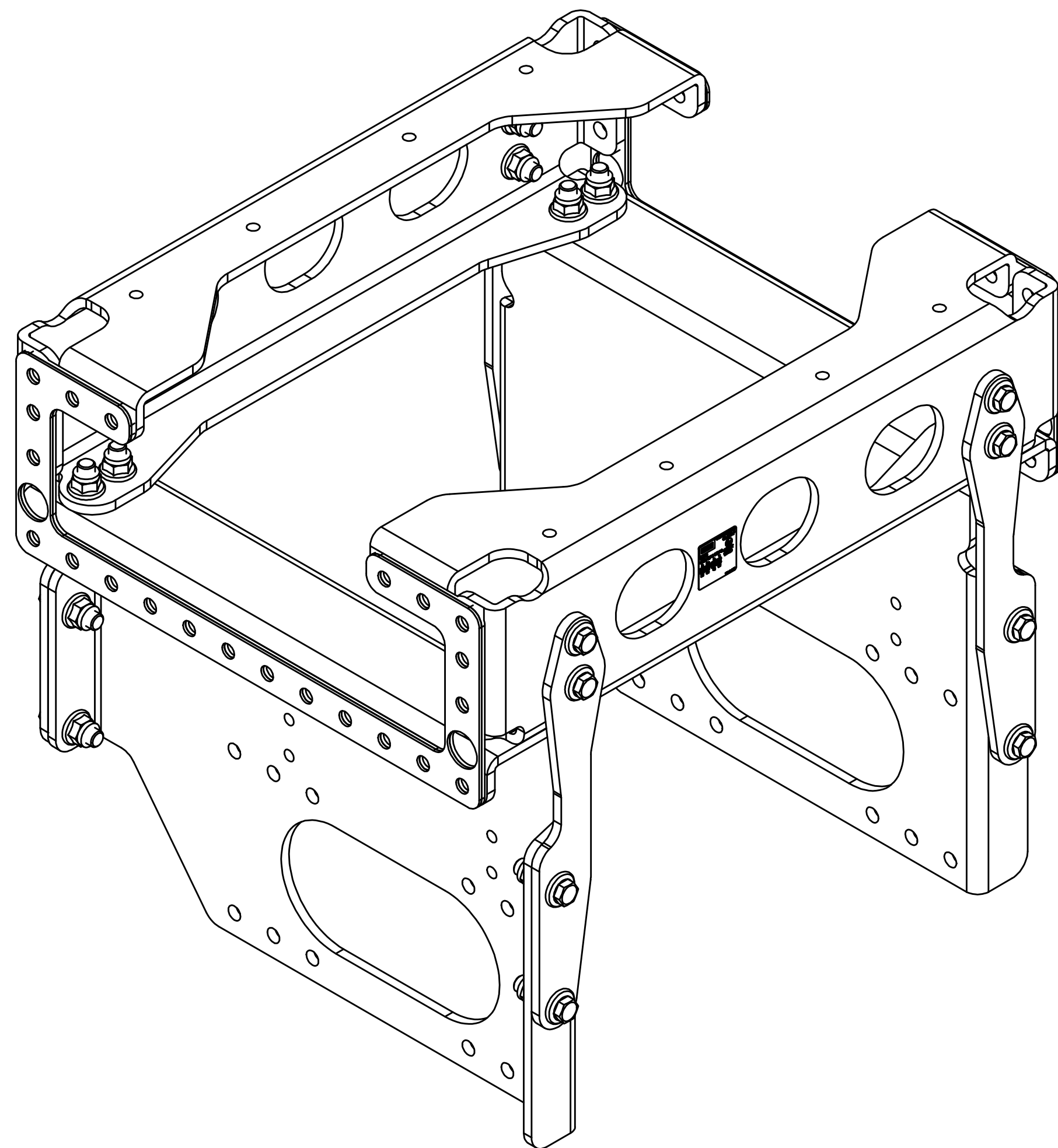
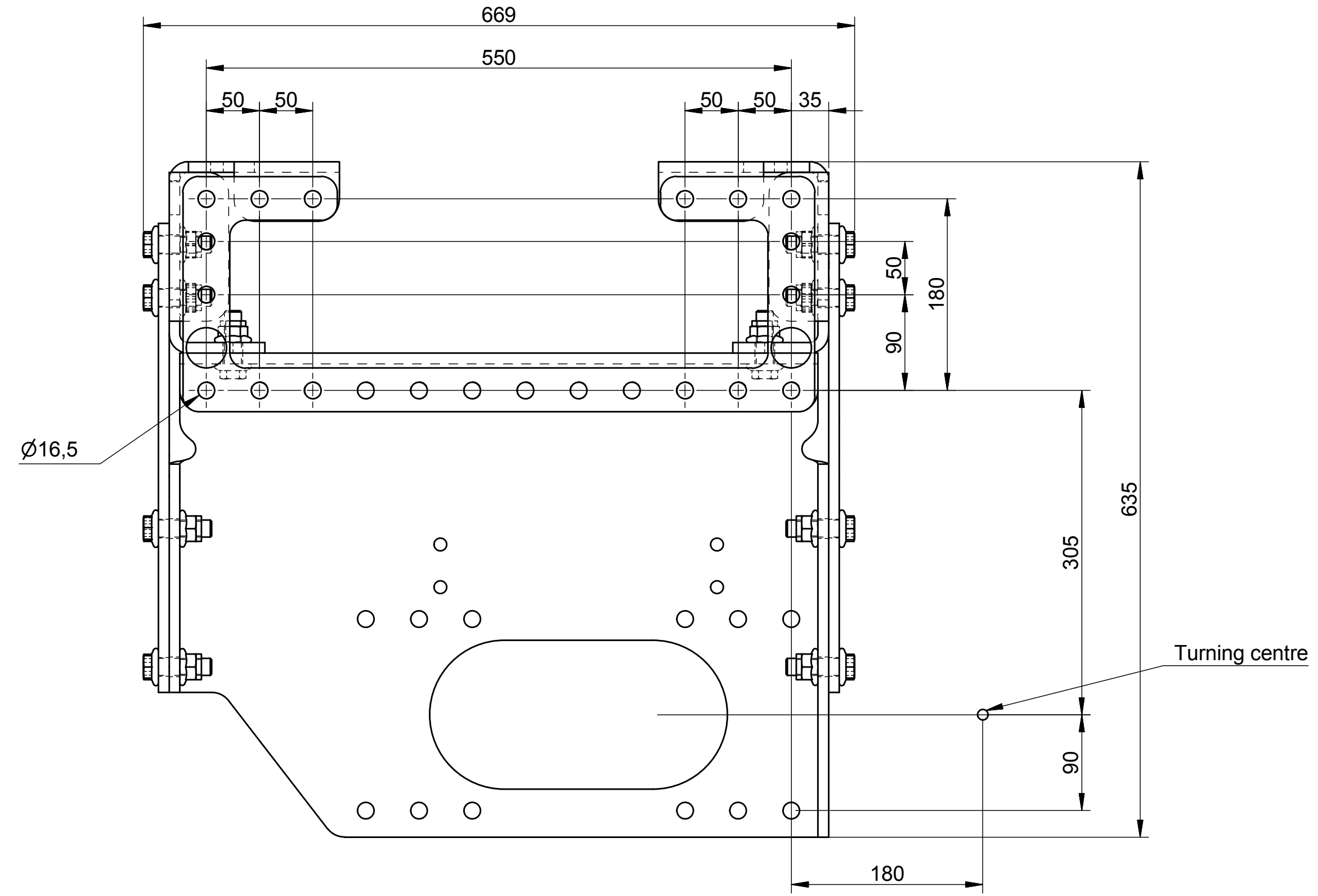
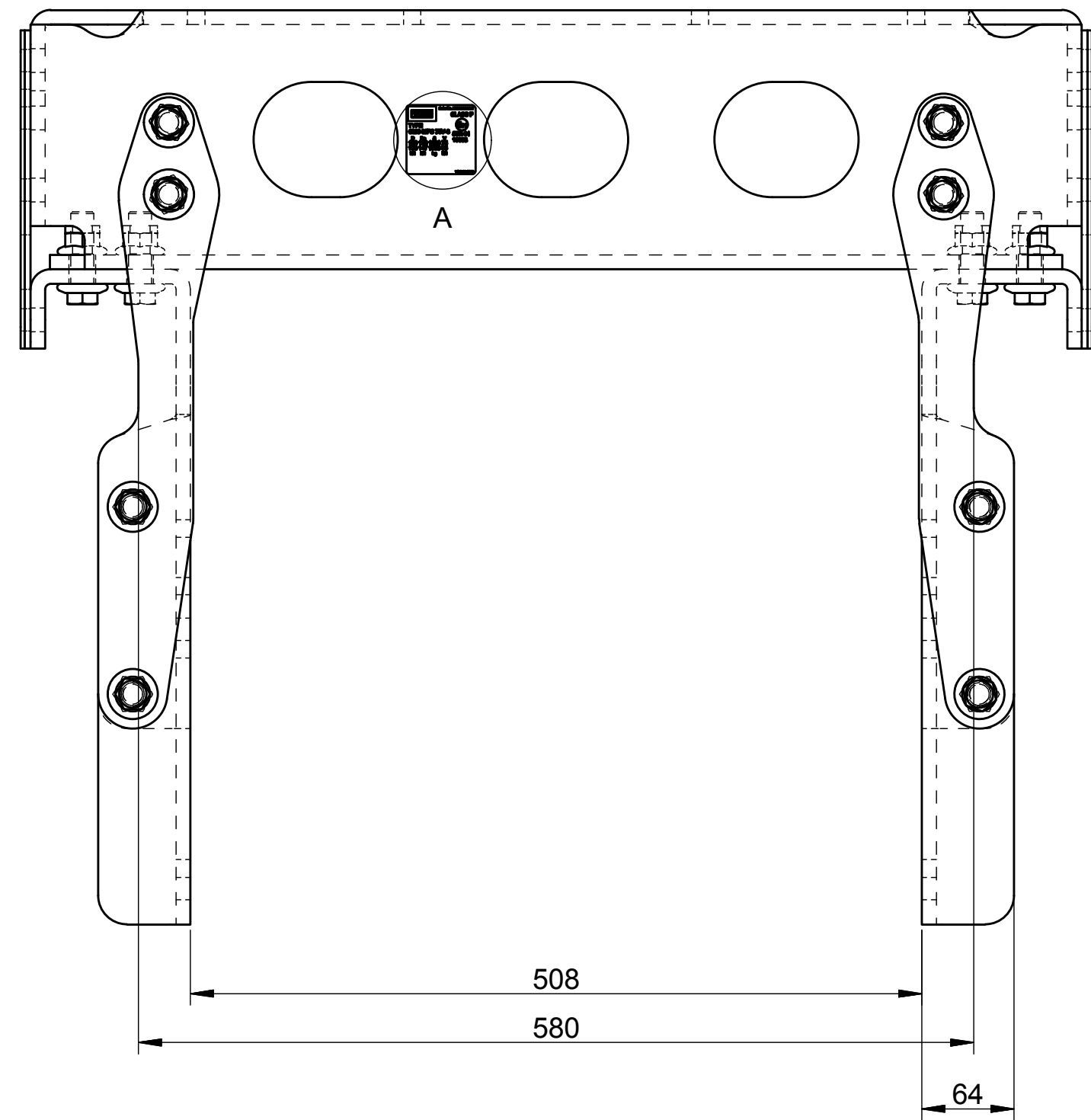


A (1:1)

Order No. 300000000X  
**CLASS F**  
 TYPE  
 CMS-MFC 75V-3  
 55R-01  
 p Do s V  
 188 130 1000 75 10683  
 kN kN kg kN

ID-marking



SSpacers, transport mounted with removable plastic plugs

<b>VBG GROUP</b>		Modified Date 2017-05-12	Modified by SJ	Modification No. 12453	Issue a
Description CMS-MFC 75V-3, MAN (550/305/730)		3D Model No. 21-600900	Engineer SJ	Checked by SJ	Drawn by SJ
Sheet No. A1	Total 1 : 4	Production P	Drafting Date 2016-05-09	Issue SJ	Drawn by SJ
Stage P		Drawing No. 21-600900 (F) INFO			
<small>This drawing is the property of VBG Group AB and is protected in accordance with prevailing law. Changes must be made in CAD program, this concerns both 2D &amp; 3D.</small>					