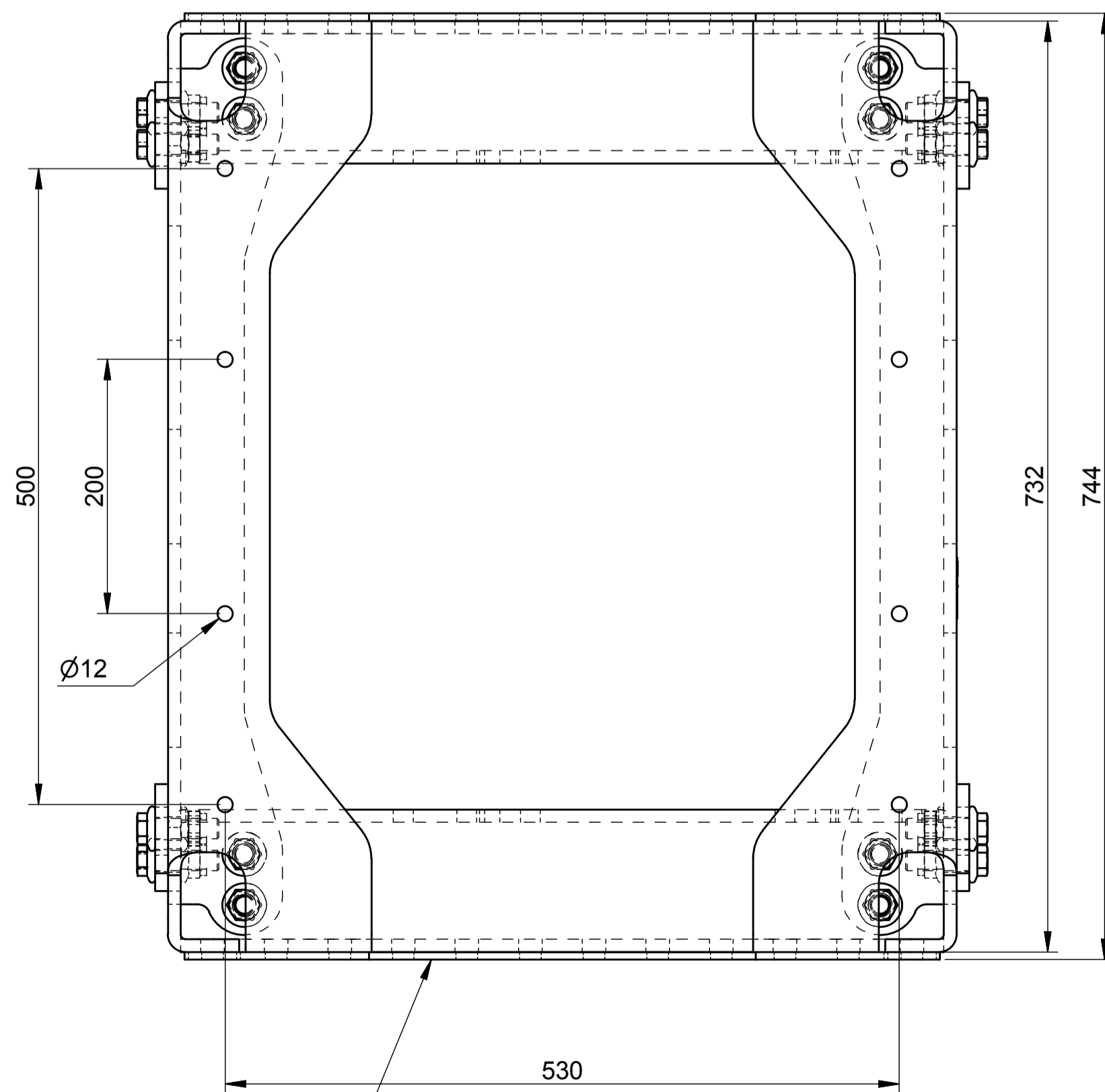
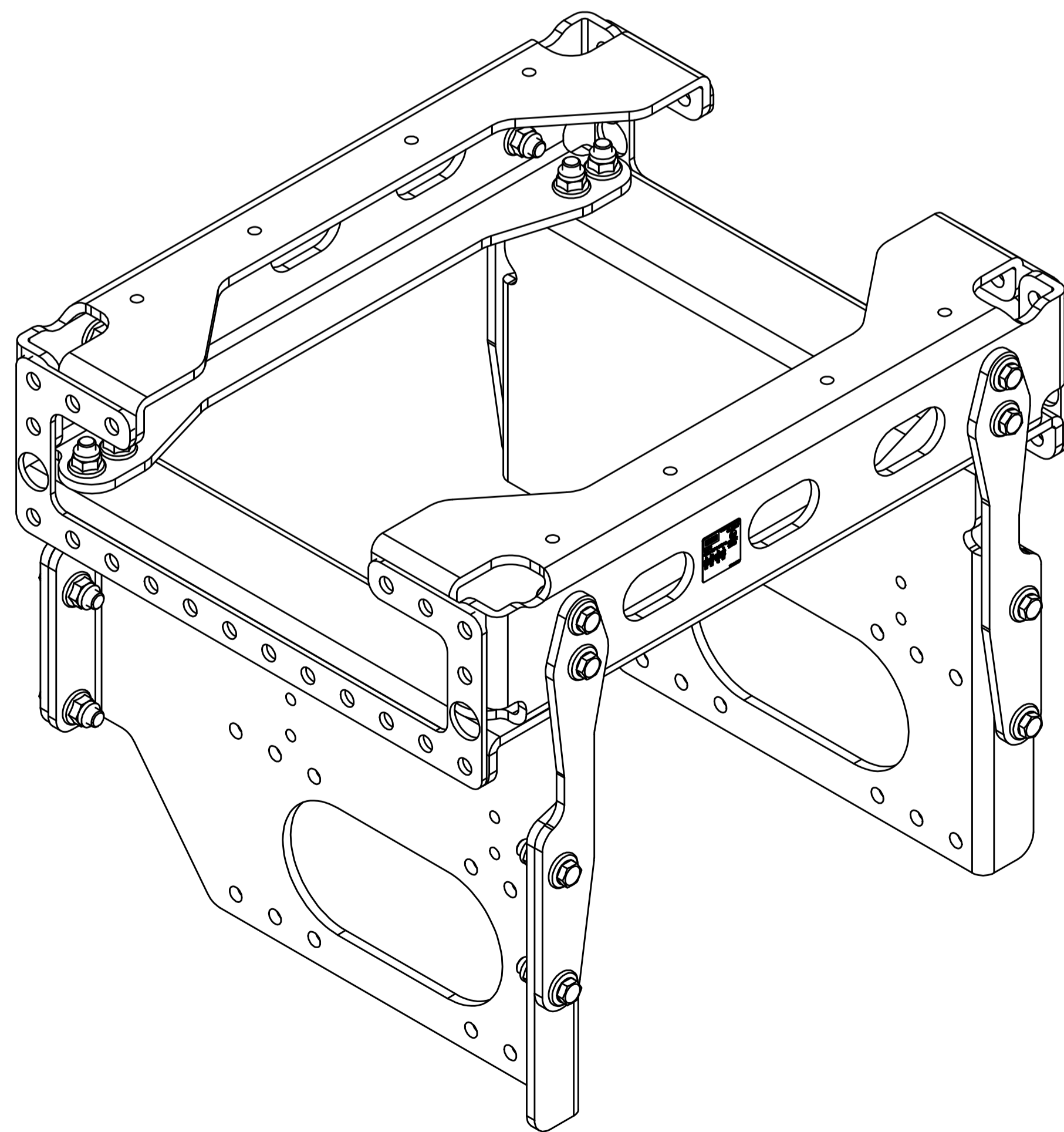
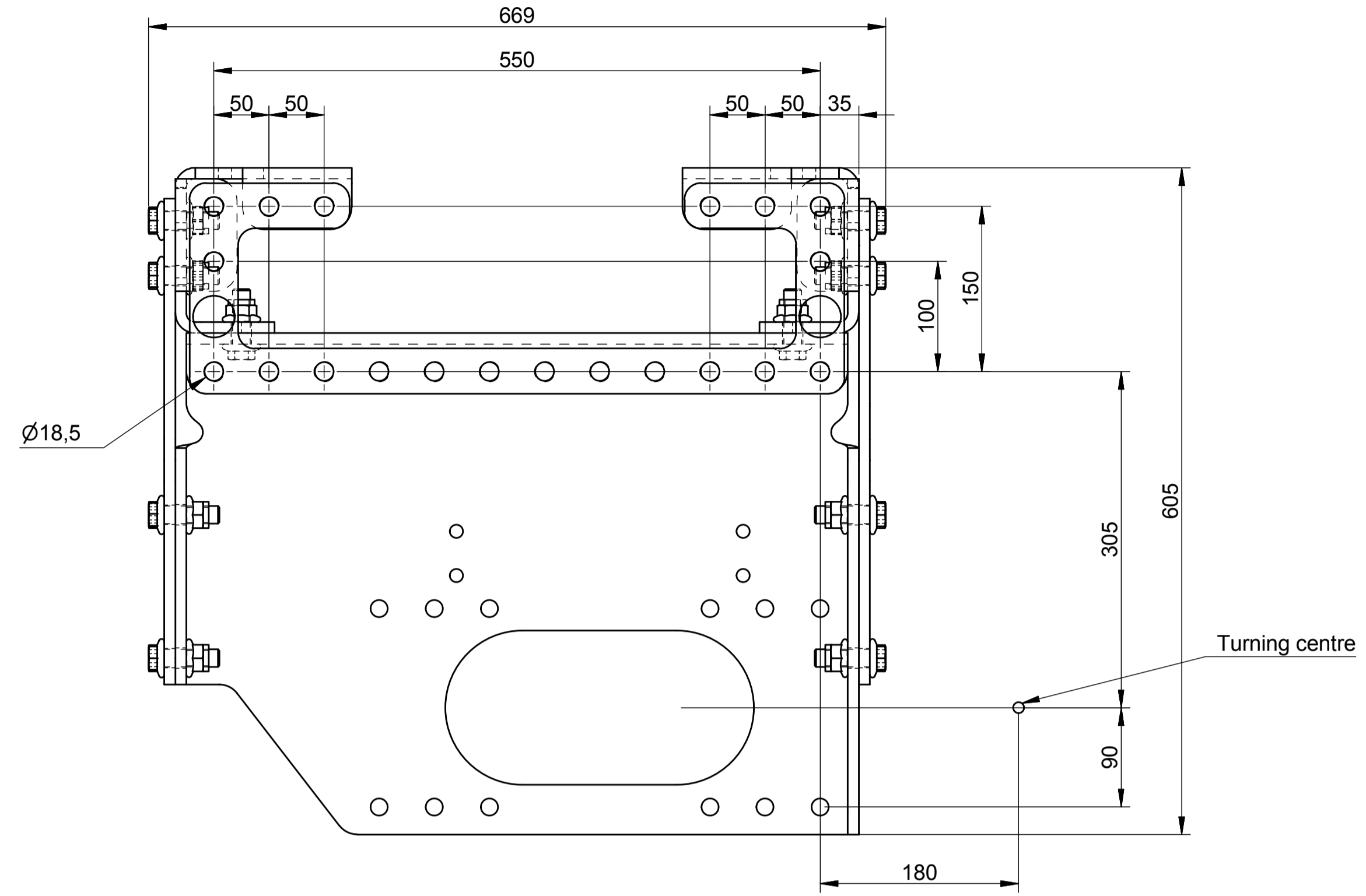
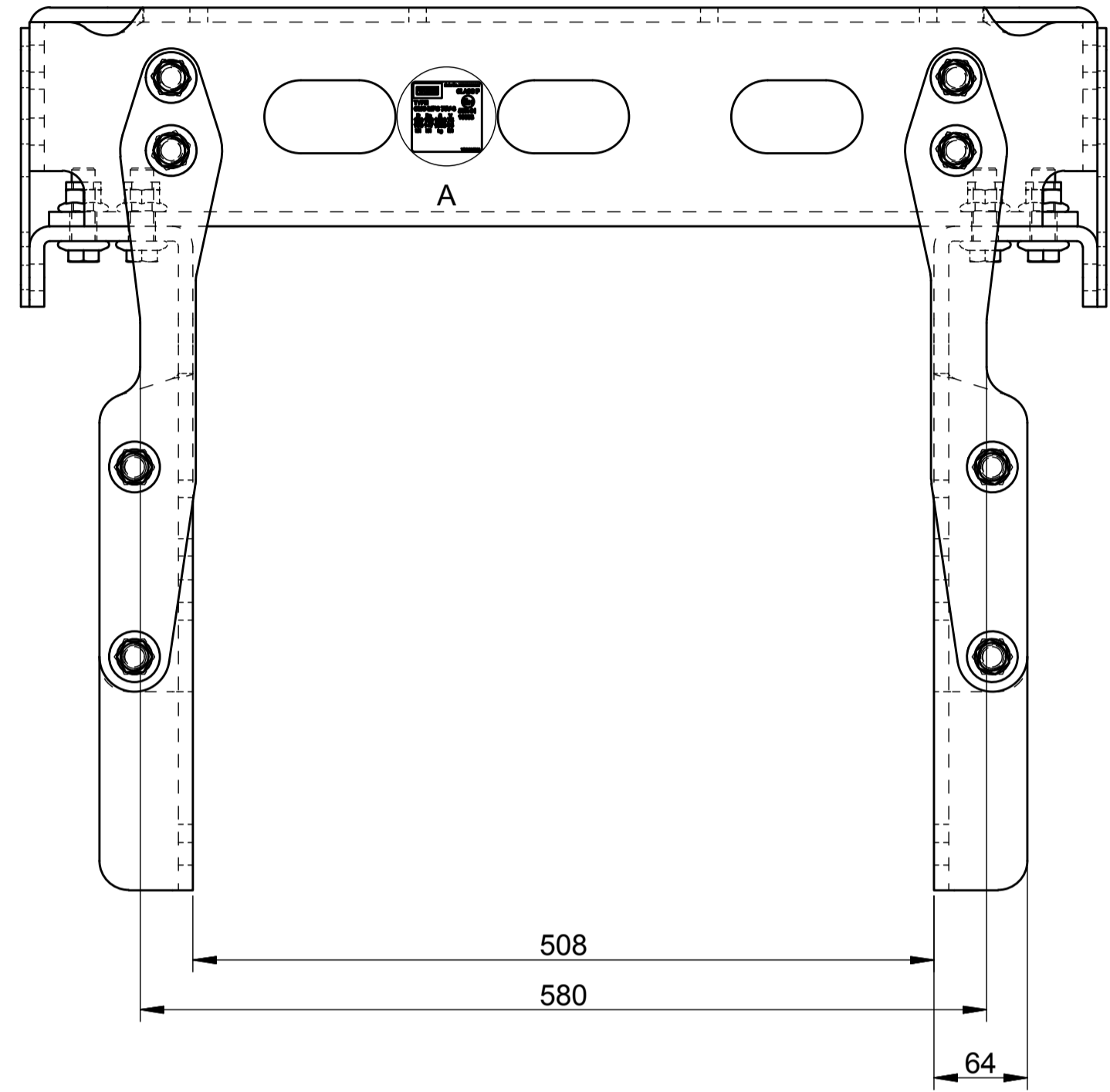


A (1:1)

Order No. 2000000000
VBG CLASS F
 TYPE CMS-MFC 75V-3
 D 188 130 1000 75 55R-01
 KN KN kg KN 10863
 Y80 21-6011

ID-marking



Spacers, transport mounted with removable plastic plugs

VBG GROUP		Modified Date 2017-05-12	Modified by SJ	Modification No. 12453	Issue a
Description CMS-MFC 75V-3, MB (550/305/732)		3D Model No. 21-601100	Engineer SJ	Checked by SJ	Drawn by SJ
Sheet No. A1	Scale 1:4	Production P	Drawing Date 2016-05-09	Drawing No. 21-601100 (F) INFO	
<small>This drawing is the property of VBG Group AB and is protected in accordance with prevailing law. Changes must be made in CAD program; this concerns both 2D & 3D.</small>					