
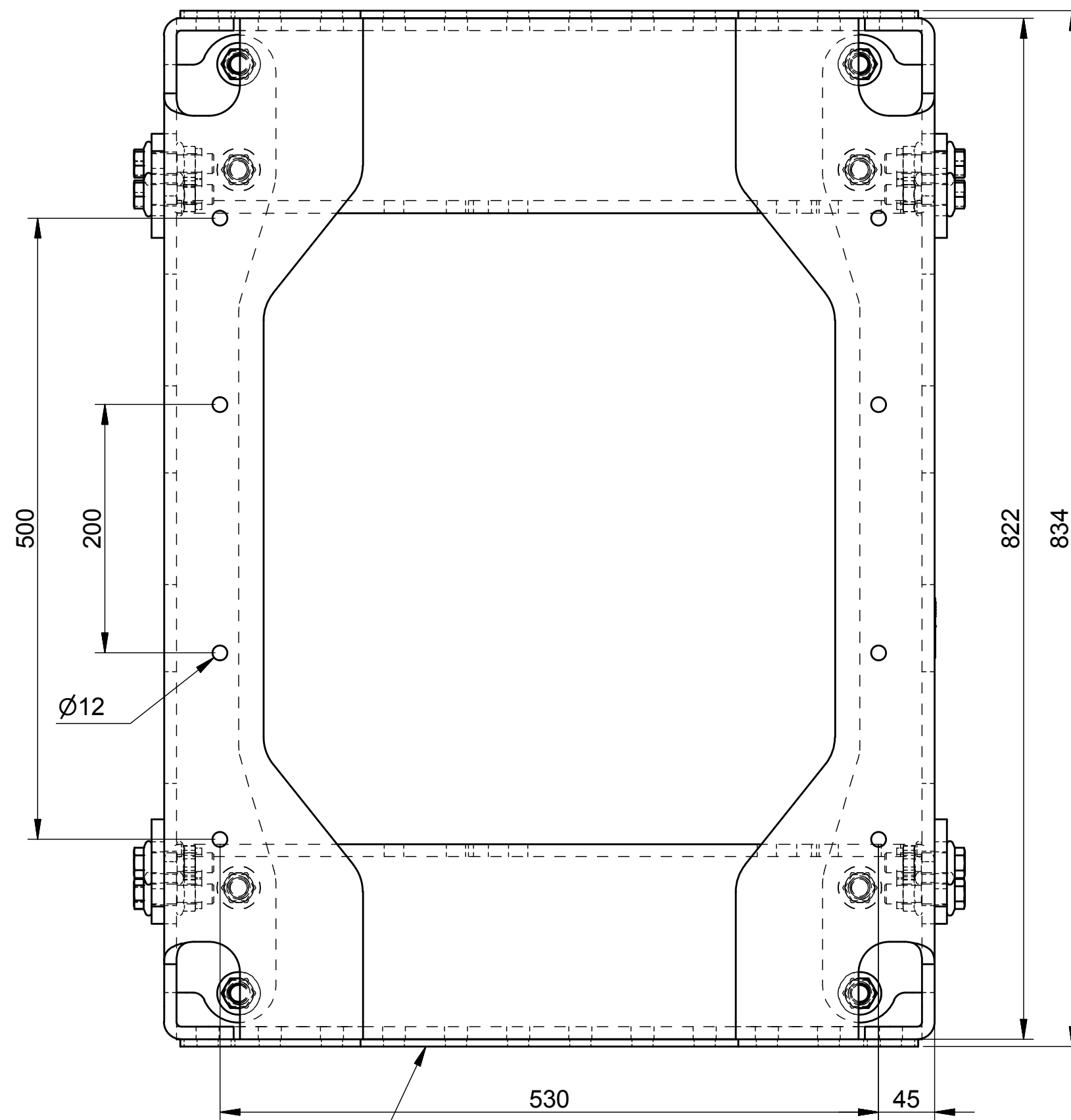
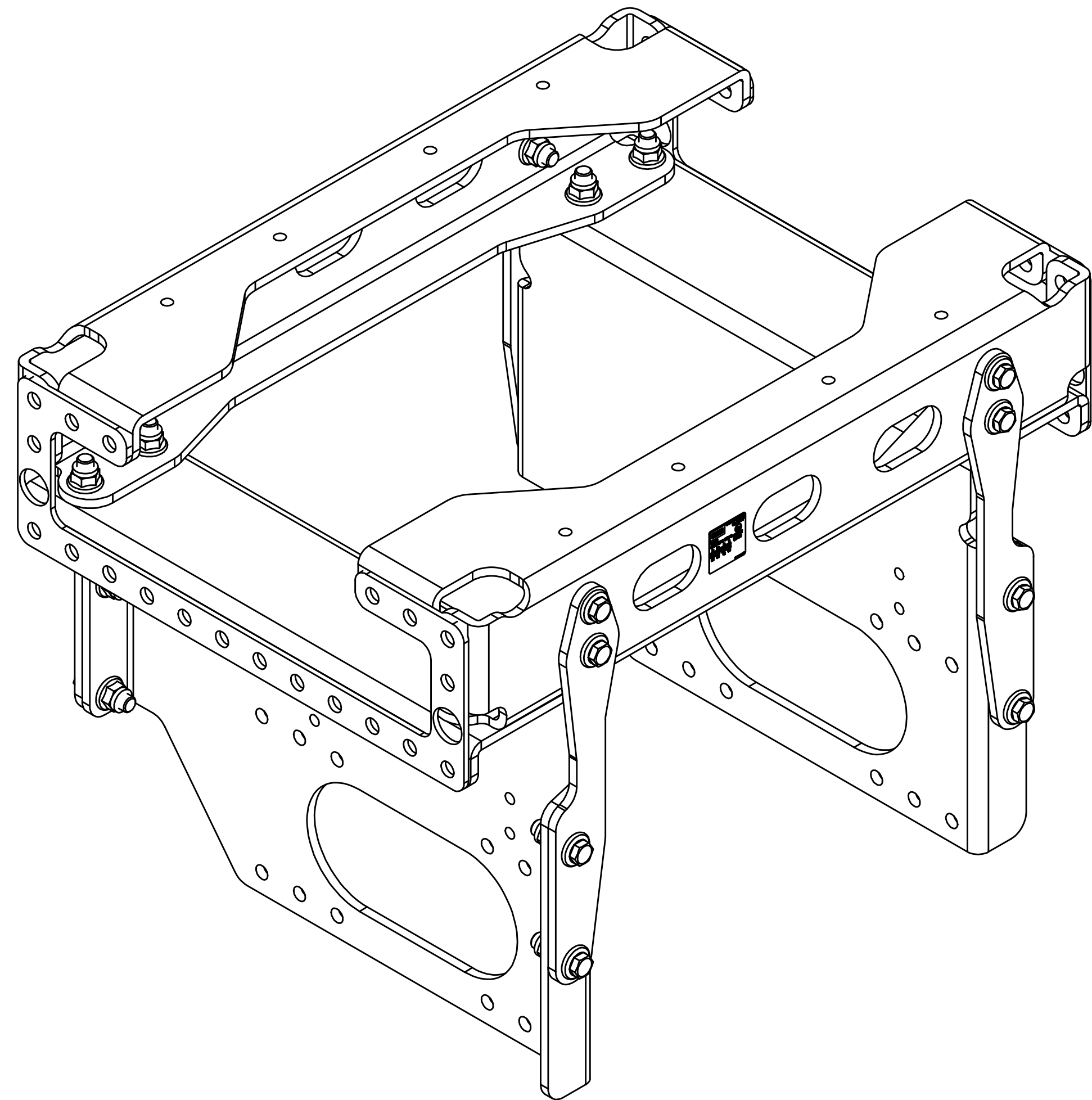
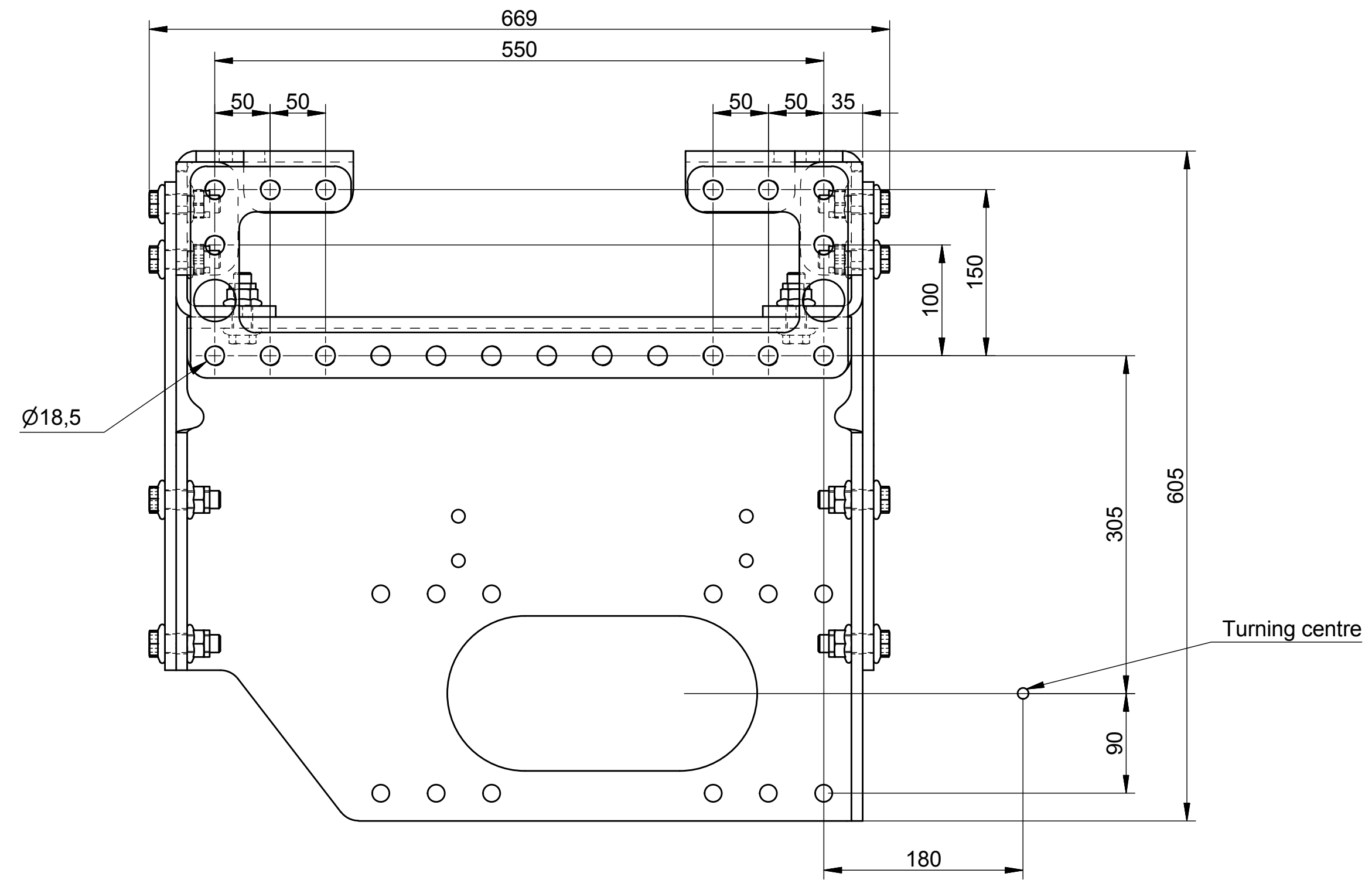
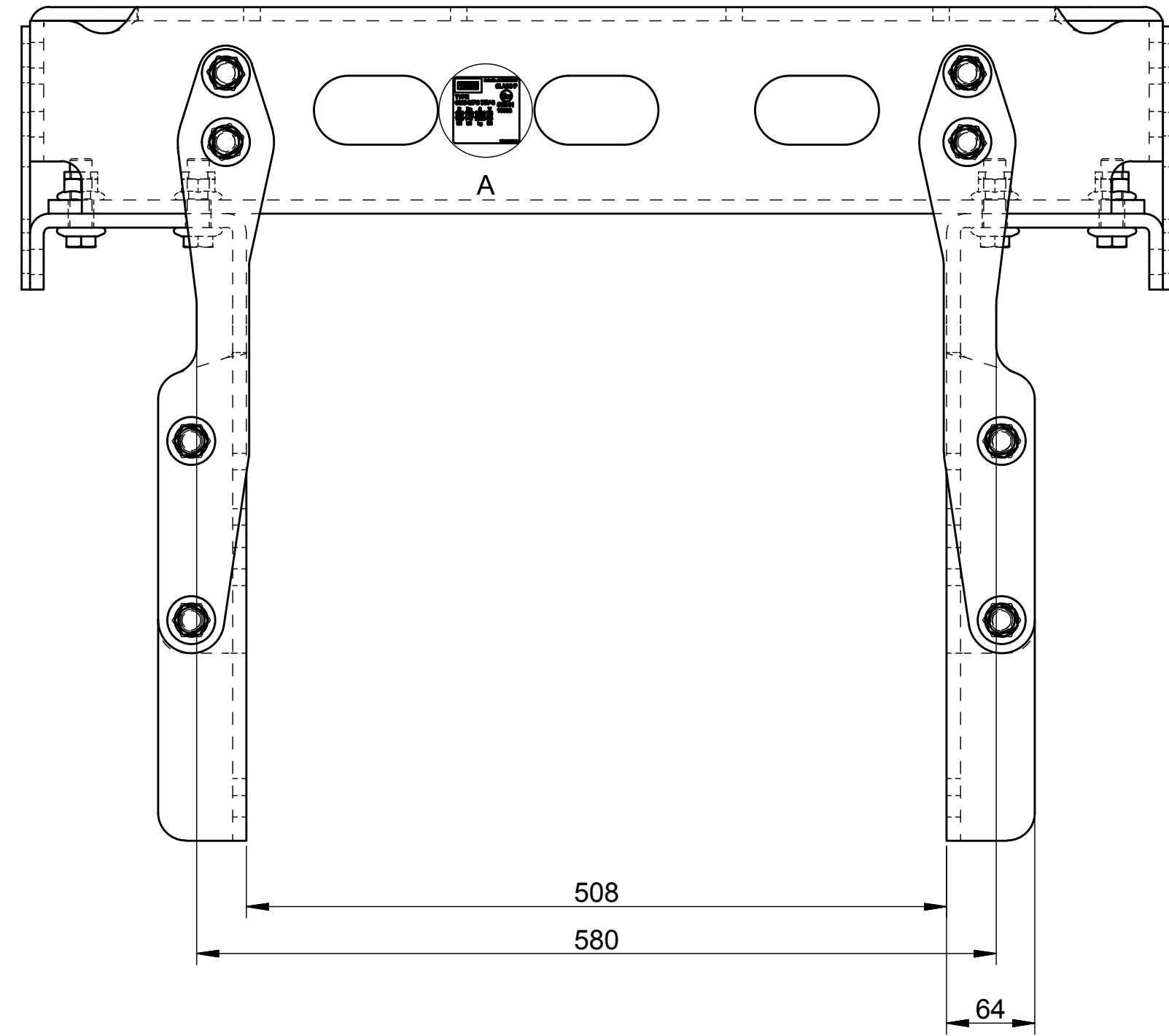


A (1:1)


 Order No. 2000000000
CLASS F
 TYPE
 CMS-MFC 75V-3
 55R-01
 D Ds S V 10683
 188 130 1000 75
 188 147 1000 35
 kN kN kg kN

ID-marking



Spacers, transport mounted with removable plastic plugs

VBG GROUP

Description
 CMS-MFC 75V-3,
 MB (550/305/822)

Modified Date	2017-05-12	Modified by	SJ	Modification No.	12453	Issue	a
3D Model No.	21-601300	Engineer	SJ	Checked by			
Sheet total	1	Scale	1:4	Drafting Date	2016-05-09	Drafted by	SJ
Stage	P	Drawing No.	21-601300 (F) INFO				

This drawing is the property of VBG Group AB and is protected in accordance with prevailing law. Changes must be made in CAD program; this concerns both 2D & 3D.