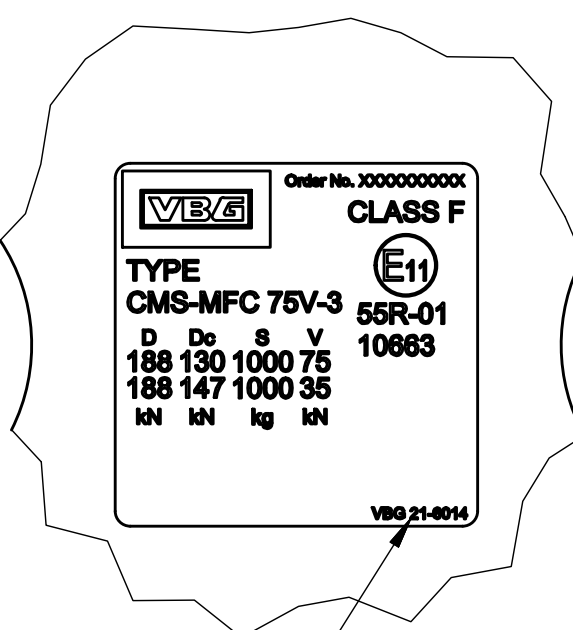
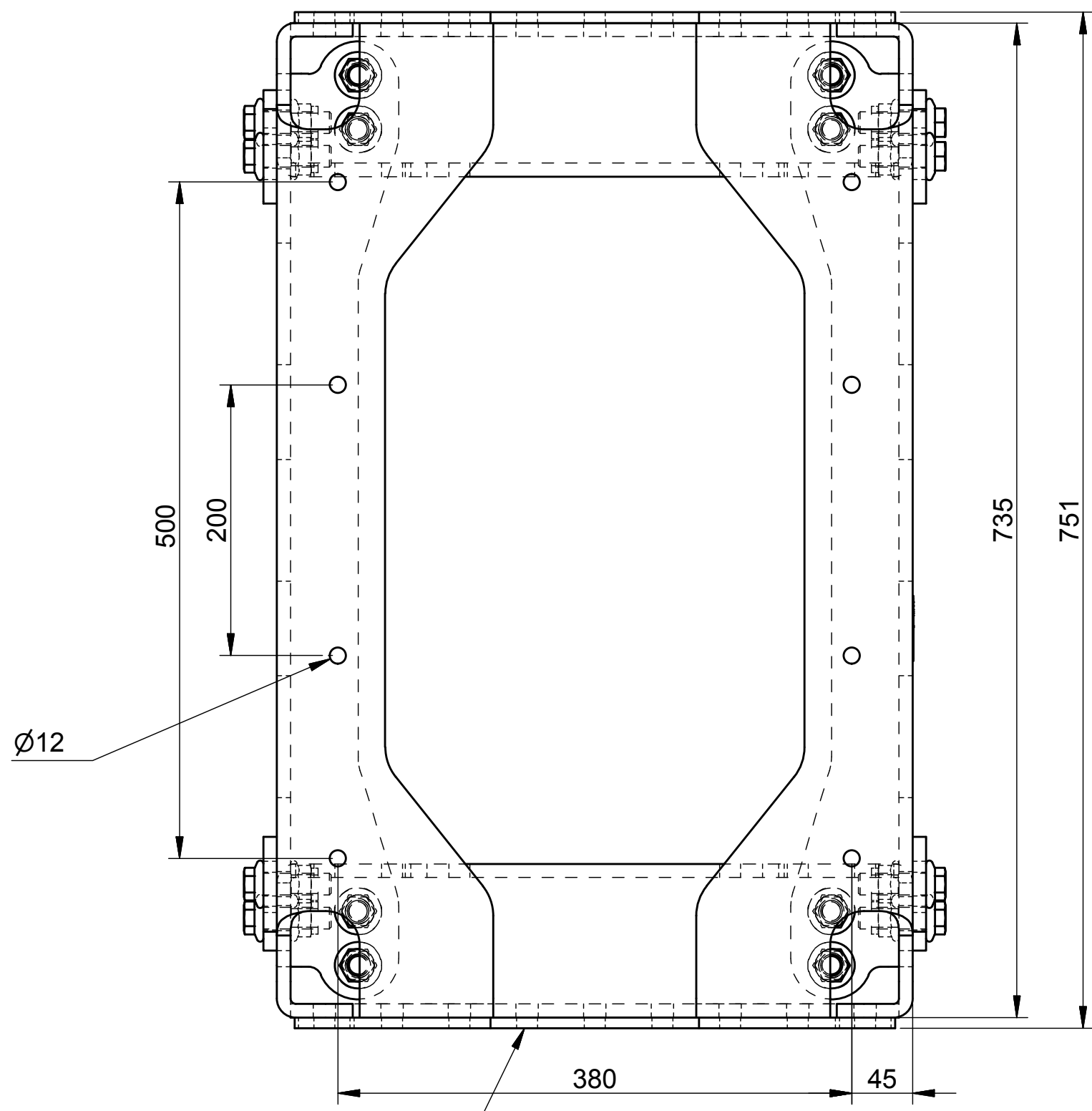
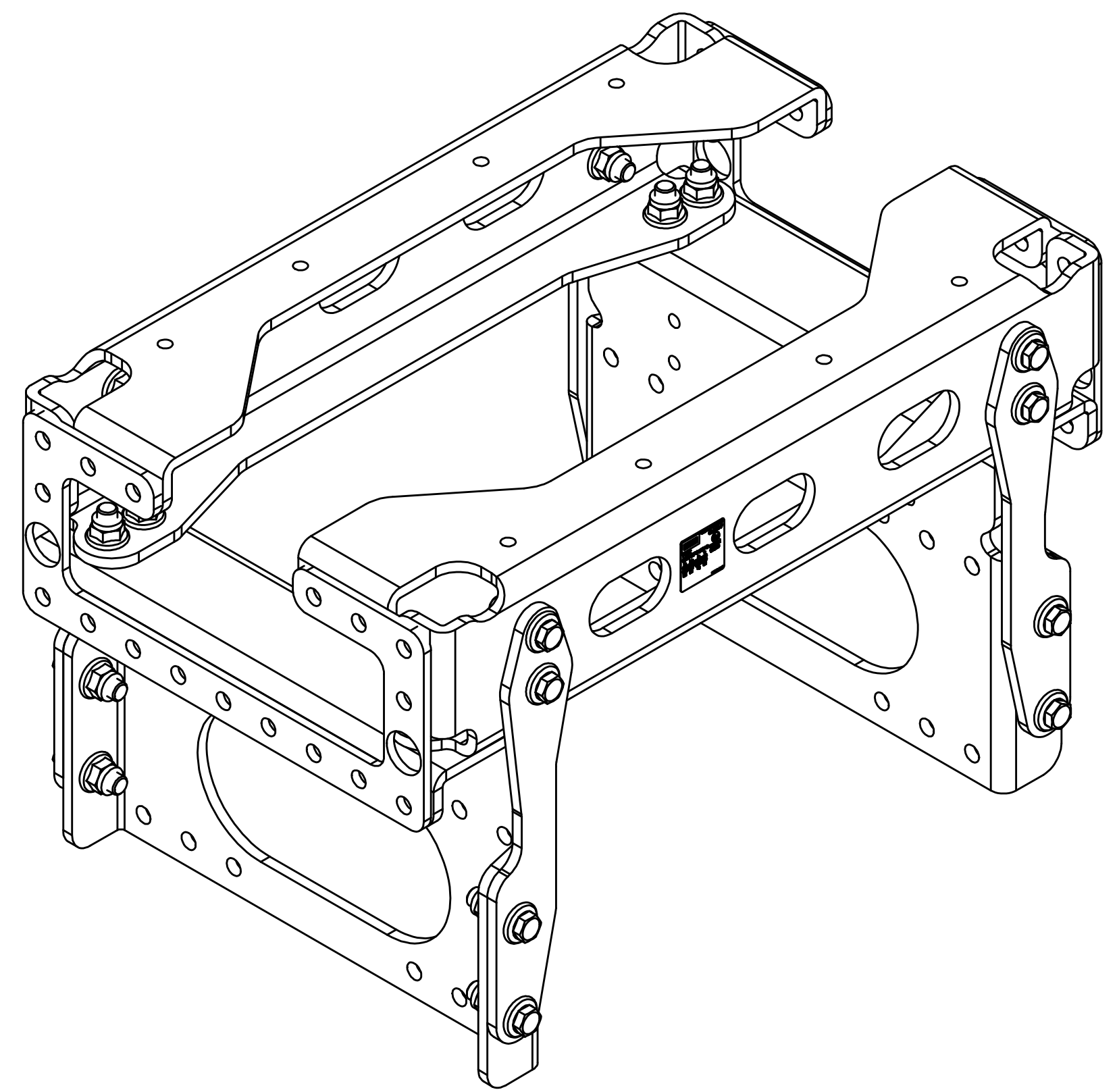
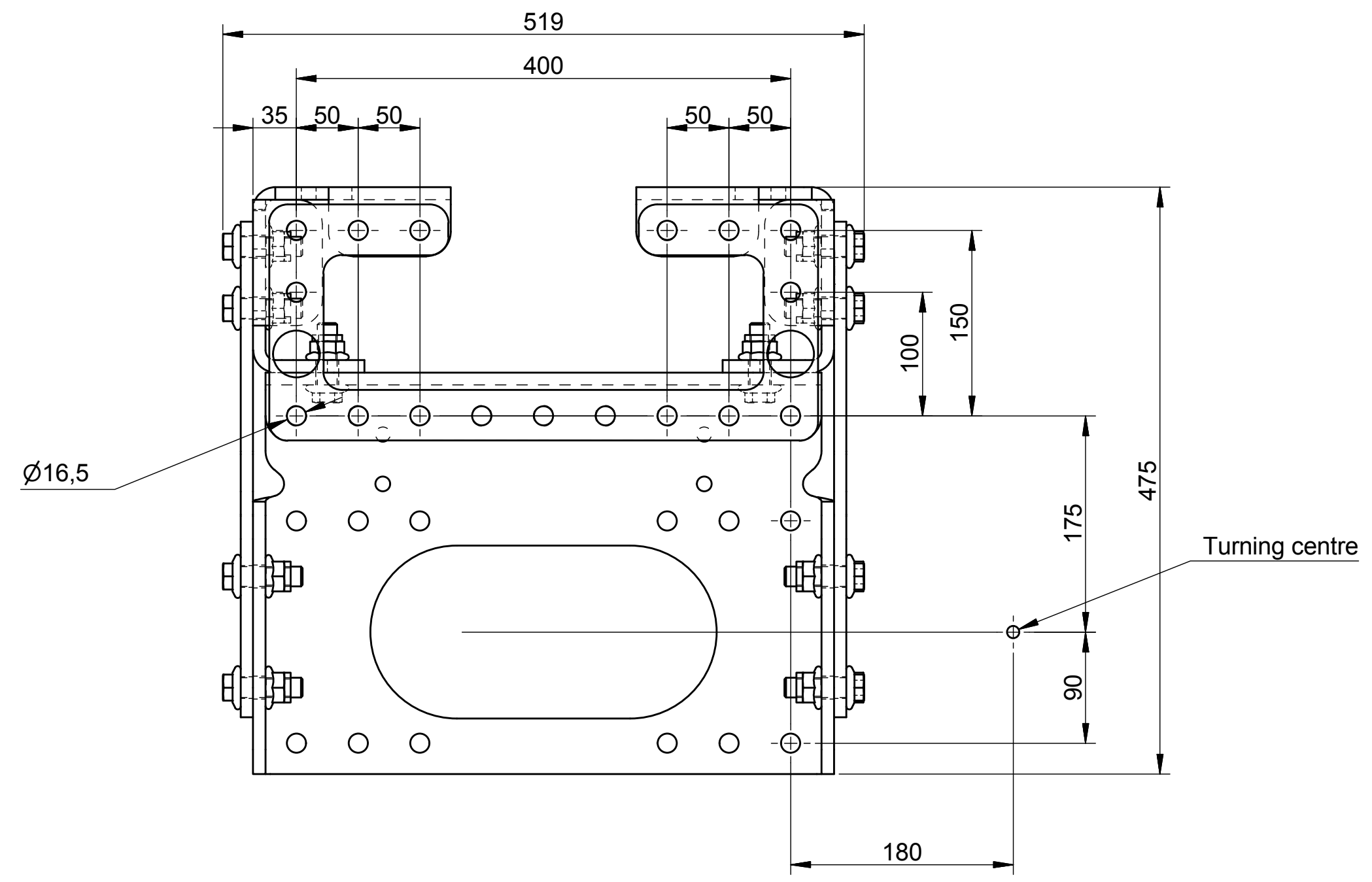
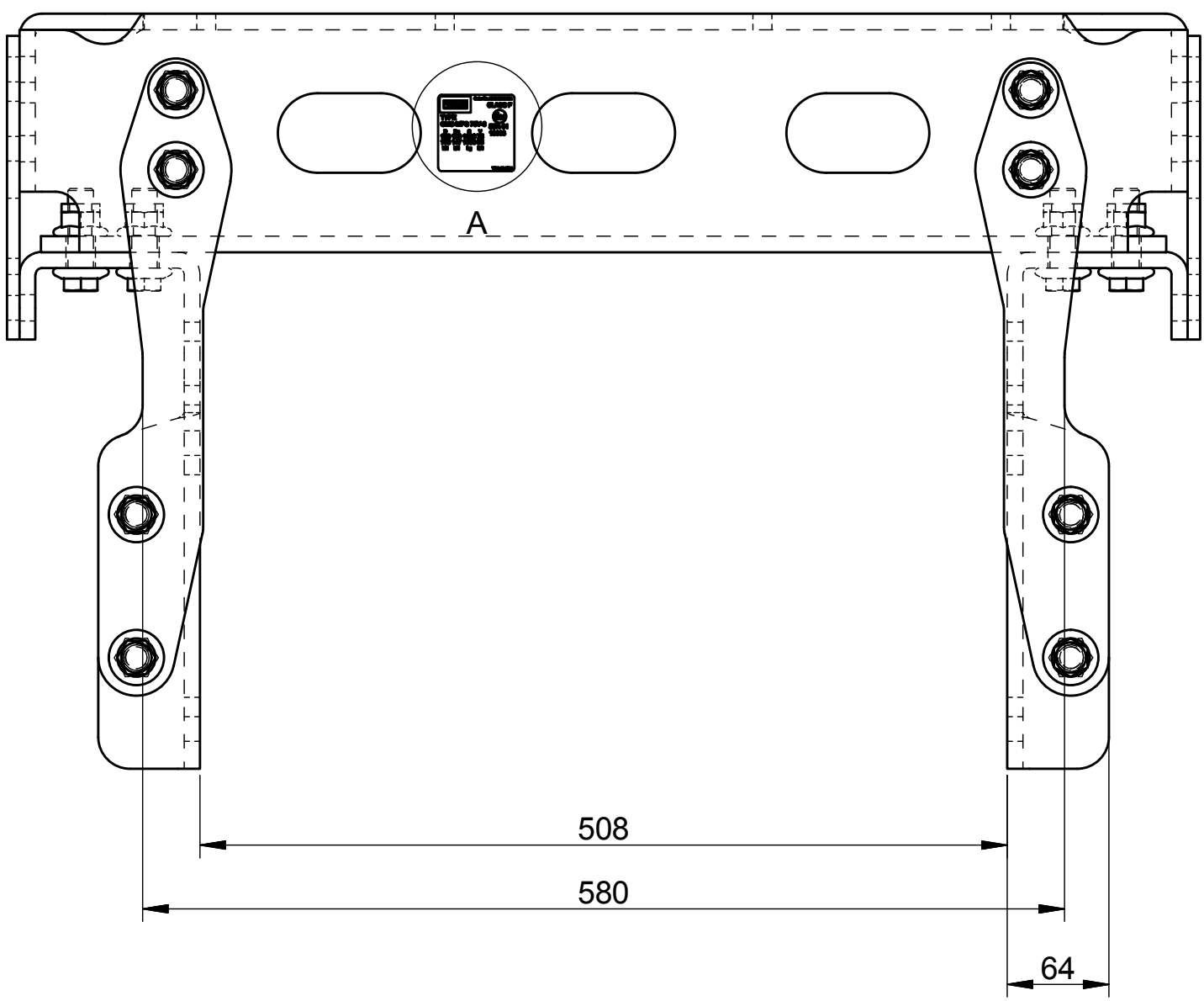


A (1:1)



ID-marking



Spacers, transport mounted with removable plastic plugs

VBG GROUP		Modified Date 2017-05-12	Modified by S.J	Modification No. 12453	Issue a
Description CMS-MFC 75V-3, Scania (400/175/735)		3D Model No. 21-601400	Engineer S.J	Checked by S.J	Drawn by S.J
Sheet No. A1	Scale 1:4	Production P	Drawing Date 2016-05-02	Drawing No. 21-601400 (F) INFO	
<small>This drawing is the property of VBG Group AB and is protected in accordance with prevailing law. Changes must be made in CAD program, this concerns both 2D & 3D.</small>					