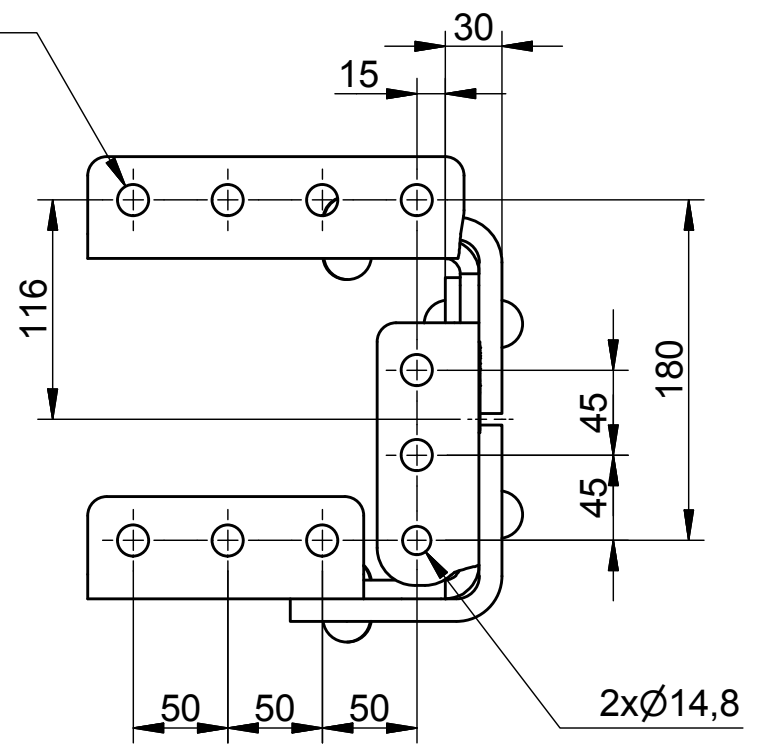
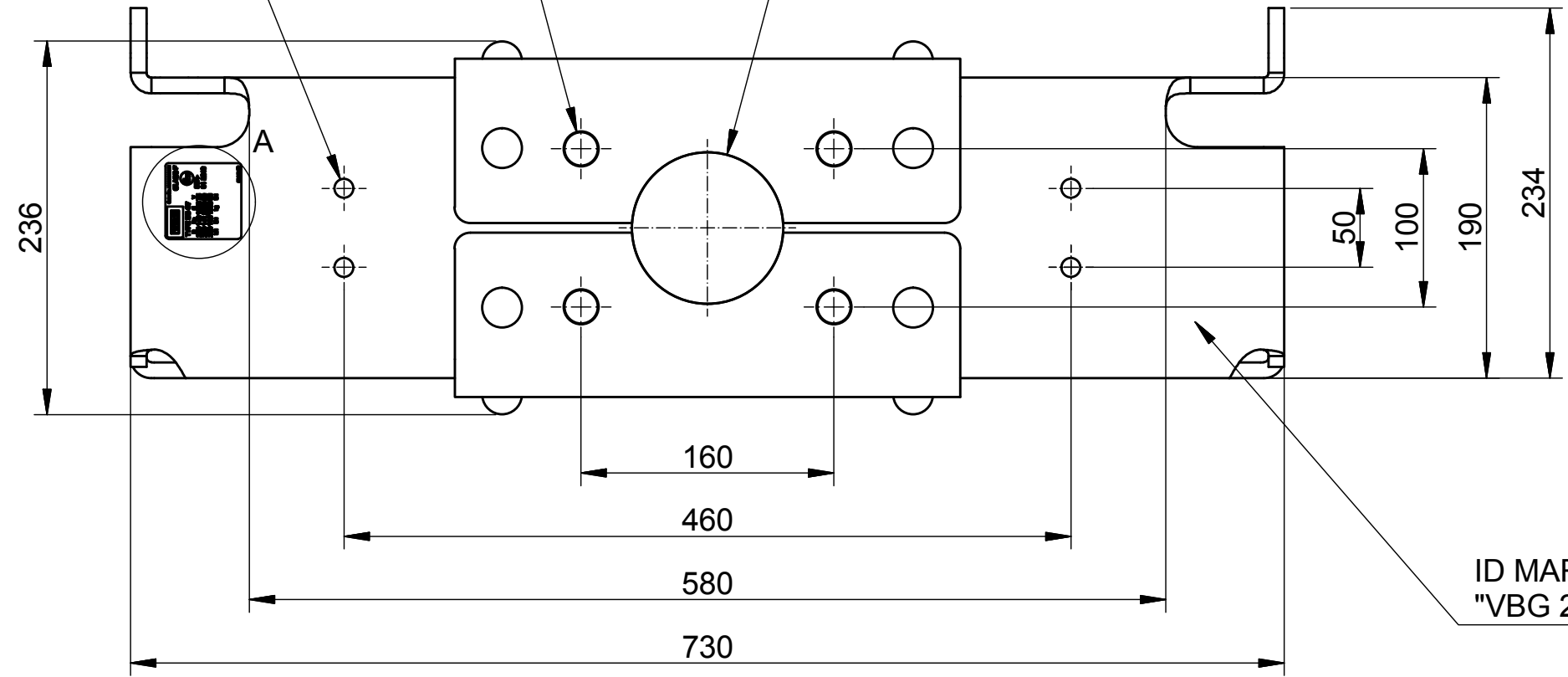


18xØ16 (Mounting screws M14 grade 10.9)

4xØ12

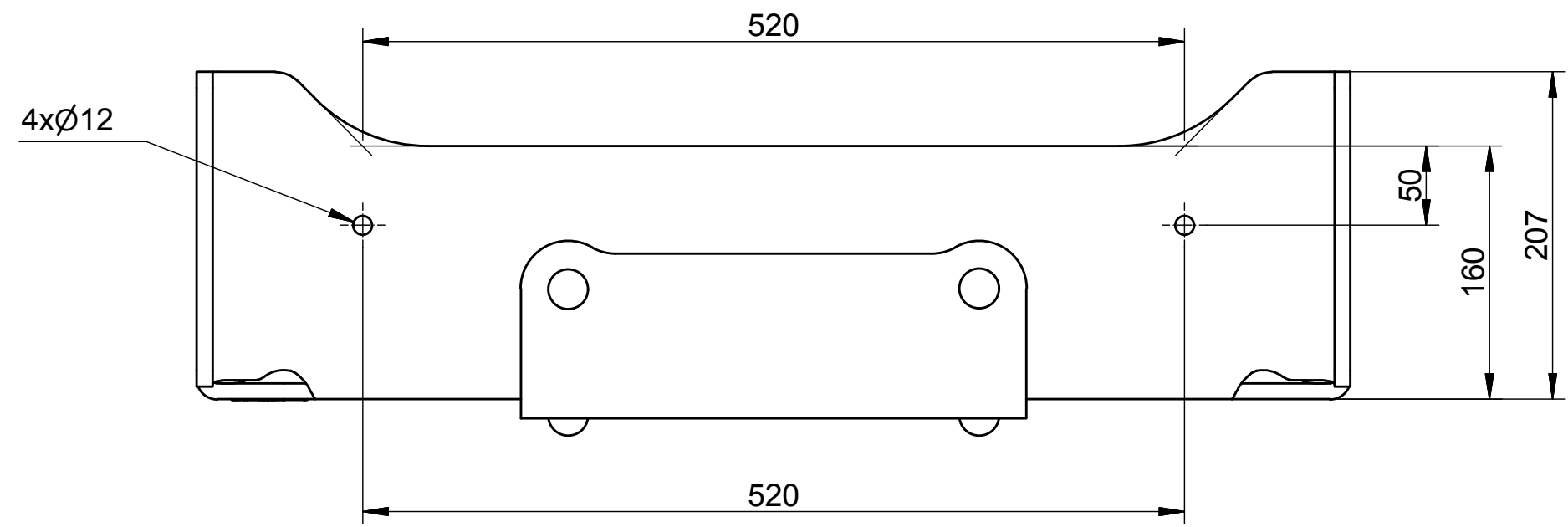
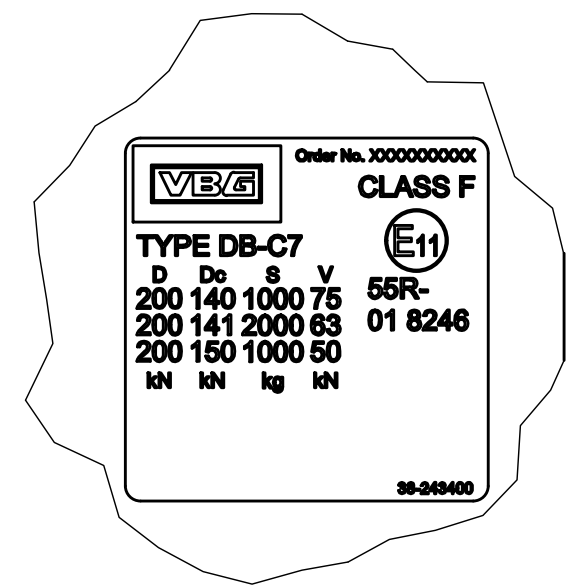
4xØ21

Ø96



A (1:1)

ID MARKING
"VBG 20-1114"



1 Measure for information only

VBG GROUP		Modified Date	Modified by	Modification No.	Issue
		2016-06-20	SJ	12718	b
Description DB-C7 MB short		3D Model No.		Engineer	Checked by
		20-111400		SJ	
Sheet Size	Scale	Projection	Drafting Date	Drafted by	
A3	1:4		2011-11-28	SJ	
Stage	Drawing No.				
P	20-111400 (F) INFO				
This drawing is the property of VBG Group AB and is protected in accordance with prevailing law. Changes must be made in CAD-program, this concerns both 2D & 3D.					