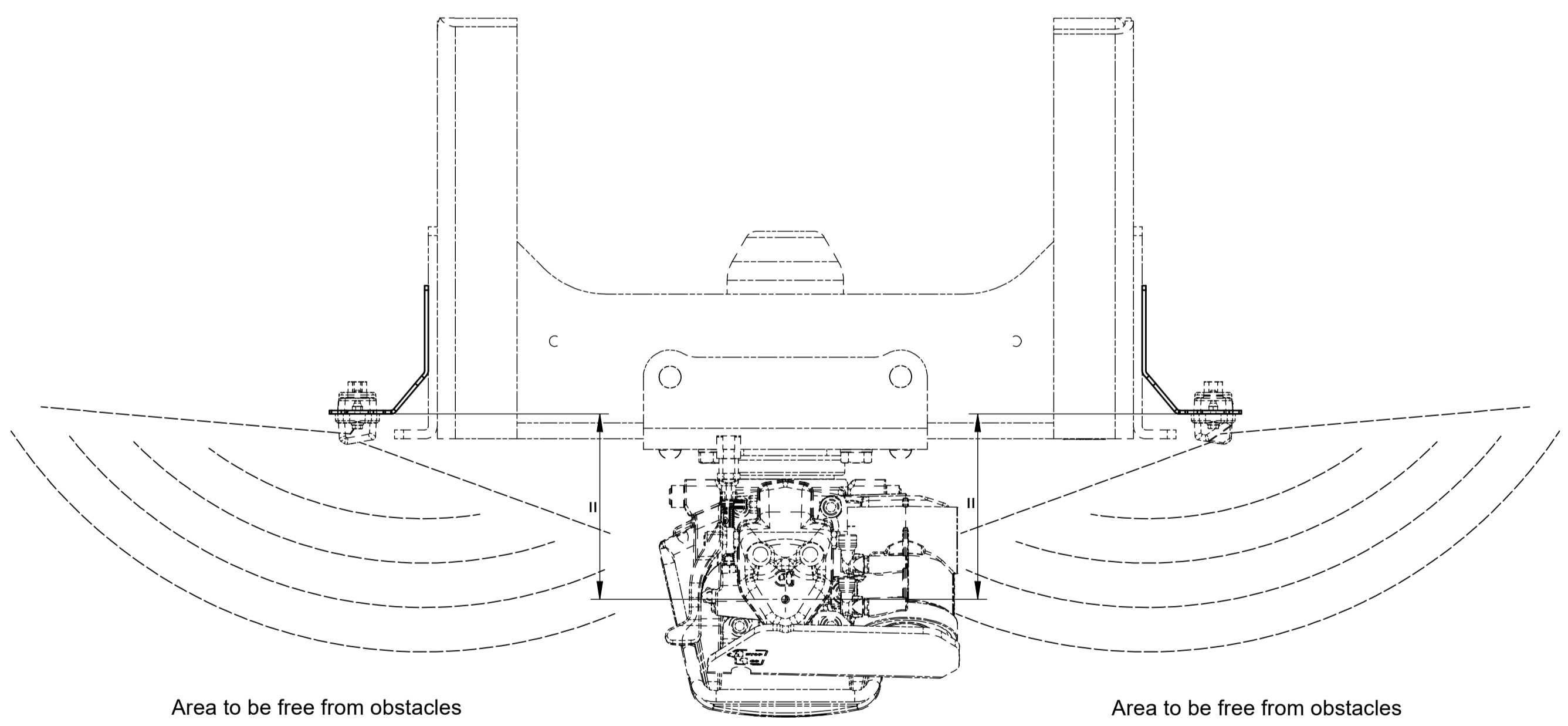
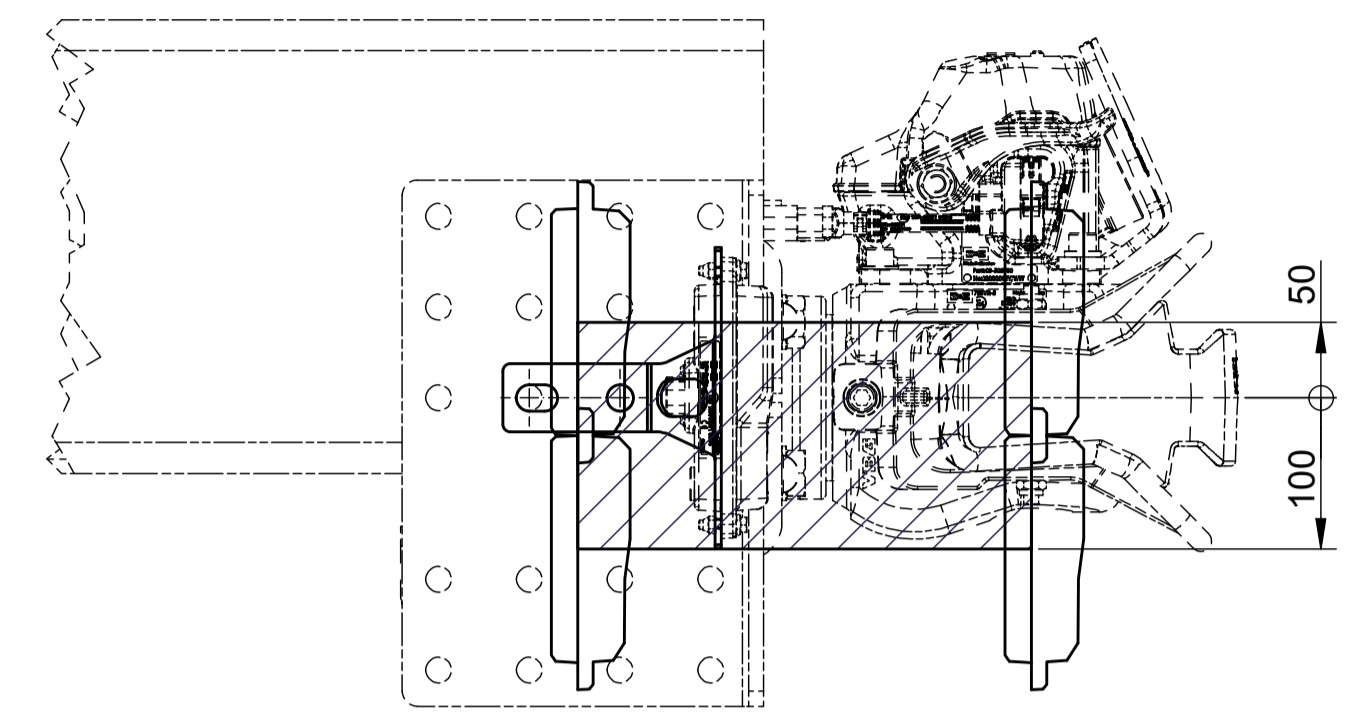
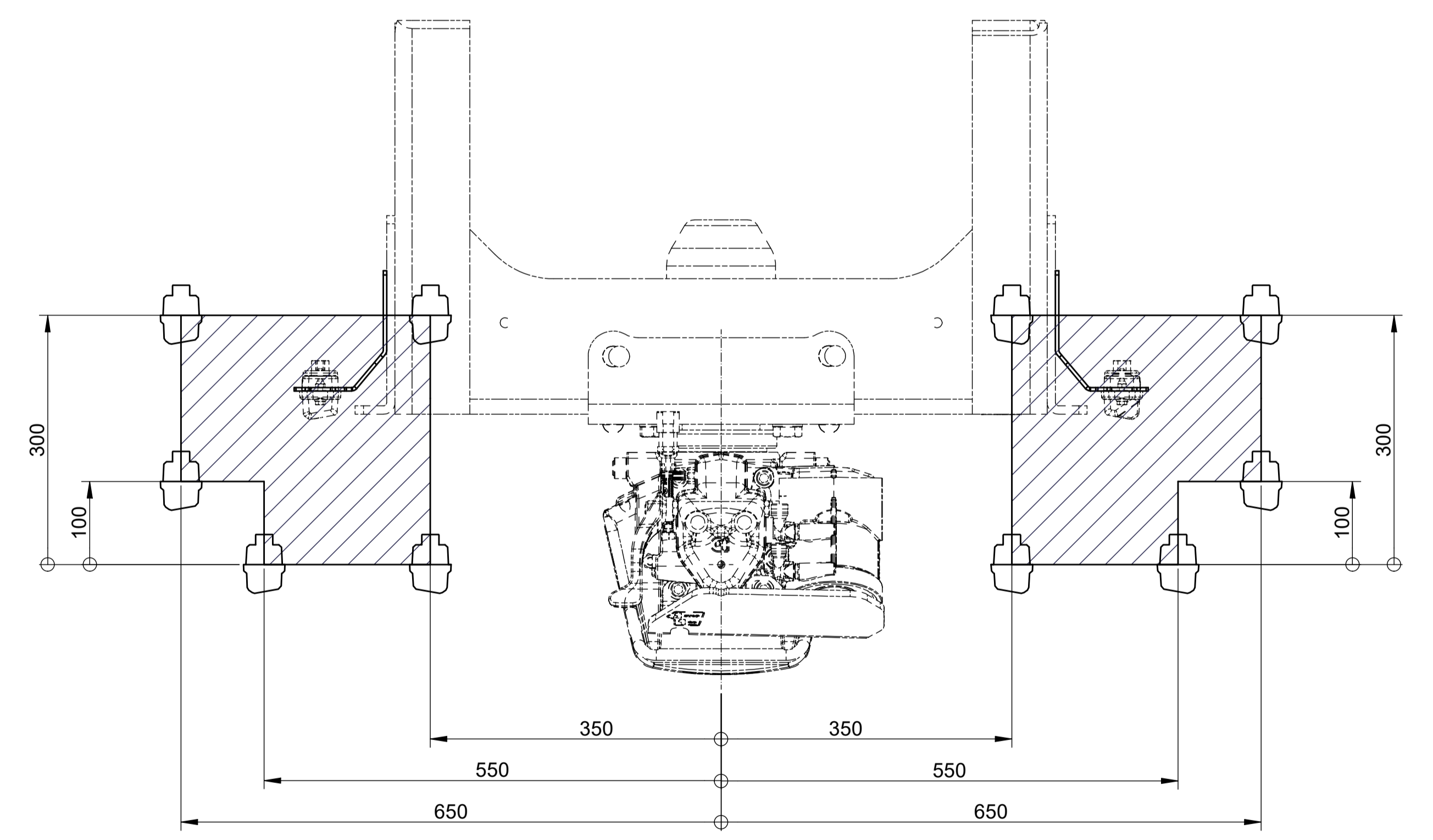


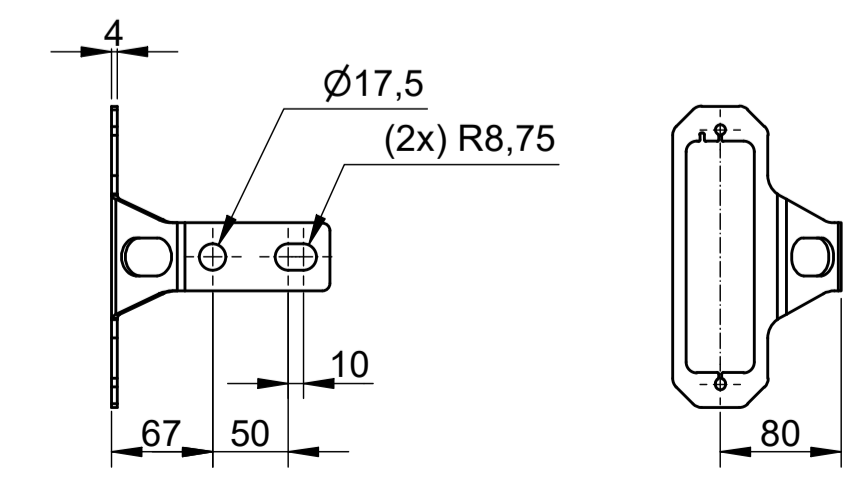
The dashed area represents the area which the DSM can be mounted within



The dashed area represents the area which the DSM can be mounted within



DSM Bracket (LH)



Fastening torques according to mounting instruction

		Modified Date	2024-03-27	Modified by	JL	Modification No.	14223	Issue	C
		3D Model No.	28-120000	Engineer	JL				
Description DSM Bracket set - M16		Sheet Size	A1	Scale	1 : 5	Projection	1st Angle	Drawing Date	2021-12-20
		Stage	P	Drawing No.	28-120000 (F) INFO	Drawn by	JL		

Released