

1 2 3 4 5 6

A

A

B

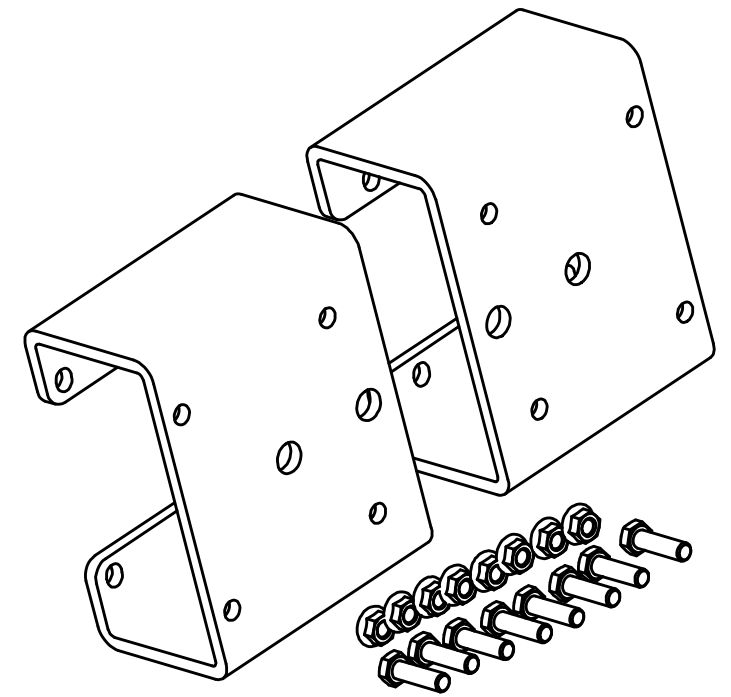
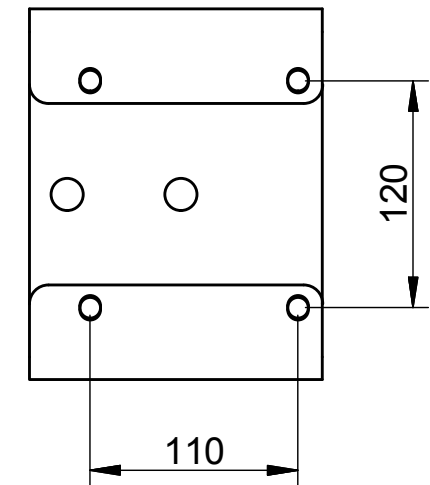
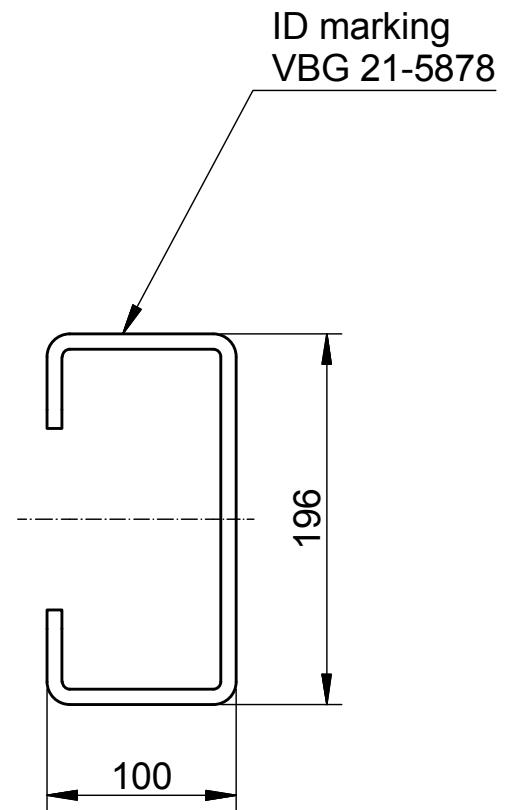
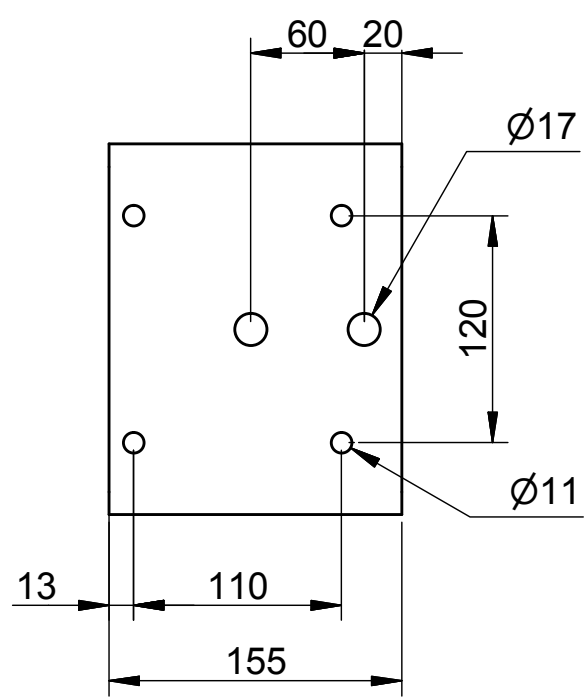
B

C

C

D

D



VBG GROUP

Description
Set of UPB 100

Modified Date	2015-03-02	Modified by	SJ	Modification No.	12451	Issue	a		
3D Model No.	21-587800			Engineer	SJ	Checked by			
Sheet Size	A3	Scale	1:4	Projection		Drafting Date	2015-03-02		
Stage	P	Drawing No.	21-587800 (F) INFO					Drafted by	SJ
<small>This drawing is the property of VBG Group AB and is protected in accordance with prevailing law. Changes must be made in CAD-program, this concerns both 2D & 3D.</small>									

1 2 3 4 5 6