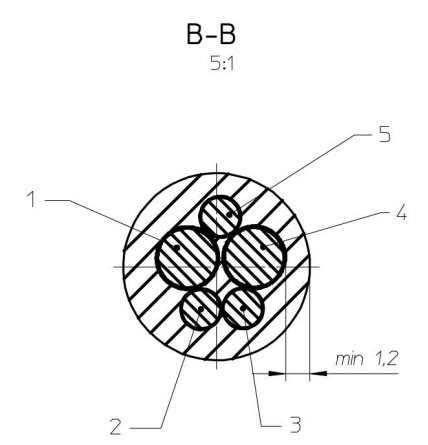
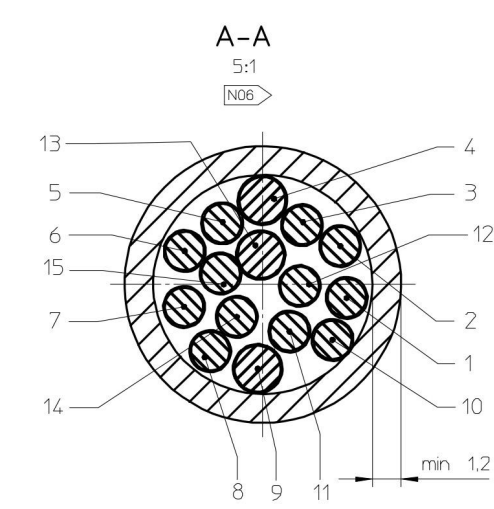


STECKERBELEGUNG -Flachsteckkontakte
(allocation - rec fasts)

Position	1A	2A	3A	4A	5A	6A	7A	8A	9A	10A	11A	12A
Art	9.5	6.3	6.3	6.3	6.3	6.3	6.3	6.3	6.3	6.3	6.3	9.5
Position							6B	7B	9B	10B	11B	
Art							6.3	6.3	6.3	6.3	6.3	



SPEZIFIKATIONEN/ANFORDERUNGEN (specifications/requirements)	
N01	GELTENDE NORMEN (current standards): in Anlehnung an ISO 4414 Teil 1-4, ISO 6722 Teil 1, 2 u. 4, ISO 12098
N04	Flachsteckhülse (rec fast) 6.3 mm 10-25 mm ² M&K Nr. 9.11263.025
N05	Flachsteckhülse (rec fast) 9.5 mm 10-25mm ² isoliert M&K Nr. 081-0029-5006
Cable construction	
Ader core	mm ² cable pos. Farbe (colour)
5	1.5 22 weiß
4	4.0 22 braun
3	1.5 22 gelb
2	1.5 22 schwarz
1	4.0 22 rot
15-Pol cable	
15	1.5 21 weiss/braun
14	1.5 21 weiss/gruen
13	2.5 21 weiss/rot
12	1.5 21 weiss/blau
11	1.5 21 weiss/schwarz
10	1.5 21 grau
9	2.5 21 orange
8	1.5 21 pink
7	1.5 21 rot
6	1.5 21 braun
5	1.5 21 schwarz
4	2.5 21 weiss
3	1.5 21 blau
2	1.5 21 gruen
1	1.5 21 gelb
ANSCHLUSSPLAN wiring diagram	
VBG plug	mm ² cable/ core no. Flachsteckkontakt (rec) Ader (core)
1A	2.5 x1.5 21/4-21/11 081-0029-5005 white + white/black
2A	1.5 21 /1 9.11263.025 yellow
3A	1.5 21 /2 9.11263.025 green
4A	1.5 21 /7 9.11263.025 red
5A	2.5 21 /9 9.11263.025 orange
6A	2.5 21 /13 9.11263.025 white/red
7A	1.5 21 /3 9.11263.025 blue
8A	1.5 21 /8 9.11263.025 pink
9A	1.5 21 /14 9.11263.025 white/green
10A	1.5 21 /6 9.11263.025 brown
11A	1.5 21 /15 9.11263.025 white/brown
12A	1.5 21 /5 081-0029-5006 black
6B	1.5 21 /12 9.11263.025 white/blue
7B	1.5 21 /10 9.11263.025 grey
9B	1.5 22 /3 9.11263.025 yellow
10B	1.5 22 /5 9.11263.025 white
11B	1.5 22 /2 9.11263.025 black
VERPACKUNG (package): In Polybeutel belegen: Datenblatt 9.94001.129 inside in bag: datasheet 9.94001.129	
N06	carton 9.94001.130 plastic bag 8.0778.1032

(22)	8.00788.052	4000	490	65	13	TPE-E sw shore 40D	Weich -PVC
(21)	8.00788.152	4000	520	65	15.5	TPE-U sw shore 85A	Weich -PVC
		L Amax /mm	Lg/mm	DW/mm	D/mm	MATERIAL MANTEL material of sheath	MATERIAL ADERSOLATION material of core insulation
Pos	M&K-Nr. LEITUNG M&K-Nr. col ISO 4414 1-4	max. AUSZIEHLAENGE max. admissible extension length	BLOCKLAENGE block length	WENDEL Ø coil Ø	LEITUNG Ø cable Ø		

Tel. DN	Überfläch.	Format	CD	wichtige Prüfmedie	Datum	Notiz	Markstoffs	Machler u. Kaege Automotive GmbH 99286 Heitz
①	x	x	x	x	16.04.12	Jung	n/e	
②	x	x	x	x				
③	x	x	x	x				
④	x	x	x	x				
⑤	x	x	x	x				
⑥	x	x	x	x				
⑦	x	x	x	x				
⑧	x	x	x	x				
⑨	x	x	x	x				
⑩	x	x	x	x				
⑪	x	x	x	x				
⑫	x	x	x	x				
⑬	x	x	x	x				
⑭	x	x	x	x				
⑮	x	x	x	x				
⑯	x	x	x	x				
⑰	x	x	x	x				
⑱	x	x	x	x				
⑲	x	x	x	x				
⑳	x	x	x	x				
㉑	x	x	x	x				
㉒	x	x	x	x				
㉓	x	x	x	x				
㉔	x	x	x	x				
㉕	x	x	x	x				
㉖	x	x	x	x				
㉗	x	x	x	x				
㉘	x	x	x	x				
㉙	x	x	x	x				
㉚	x	x	x	x				
㉛	x	x	x	x				
㉜	x	x	x	x				
㉝	x	x	x	x				
㉞	x	x	x	x				
㉟	x	x	x	x				
㊱	x	x	x	x				
㊲	x	x	x	x				
㊳	x	x	x	x				
㊴	x	x	x	x				
㊵	x	x	x	x				
㊶	x	x	x	x				
㊷	x	x	x	x				
㊸	x	x	x	x				
㊹	x	x	x	x				
㊺	x	x	x	x				
㊻	x	x	x	x				
㊼	x	x	x	x				
㊽	x	x	x	x				
㊾	x	x	x	x				
㊿	x	x	x	x				

VBG

VBG GROUP		Modified Date 2023-06-30	Modified by JL	Modification No. 14058	Issue C
Description Spiral cable 17-17		3D Model No. 28-046400	Drafting Date 2011-05-30		Drafted by
Sheet Size A2		Scale 1:1	Stage P		Drawing No. 28-046400 (F) INFO

This drawing is the property of VBG Group AB and is protected in accordance with prevailing law. Changes must be made in CAD-program, this concerns both 2D & 3D.